



## Fixing sockets

**Fixing sockets are internally threaded anchors which are used in concrete structures with various fastenings. Fixing sockets are used, for example for pillars, supports, stair units, rail fastenings and for lighting and ceiling suspensions, etc.**

Fixing sockets are available, depending on operating conditions, made of galvanized, stainless steel (A2) or acid proof steel (A4). Casting anchors transfer the concrete with the adhesion at the end of the body.

Fixing sockets are available manufactured with various forms of anchorings, depending on the desired installation method, available space, etc

For fastening the anchor to steel formwork we recommend **the HM4 Magnetic holder**. We offer a variety of protective caps for protection of the thread during concrete pouring and to prevent access of snow and ice to the thread. Colored cover caps are available where the thread will be hidden after use.

- **Fixing socket PVA**, galvanized, a transverse hole
- **Fixing socket PVA-R**, stainless steel, a transverse hole
- **Fixing socket PVA-H**, galvanized
- **Fixing socket PVA-HR**, stainless
- **Fixing socket PVA-T**, galvanized, bended end
- **Fixing socket PVA-TR**, stainless, bended end
- **Fixing socket PVA-N**, galvanized, with nailing plates and a transverse hole
- **Fixing socket PVA-NR**, stainless, with nailing plates and a transverse hole
- **Fixing socket PVA-NH**, galvanized, with a nailing plate and cross pin
- **Fixing socket PVA-NHR**, stainless, with a nailing plate and cross pin
- **Fixing socket PVA-W**, galvanized, with a wavy adhesion
- **Fixing socket PVA-WE**, stainless with a wavy adhesion
- **Fixing socket PVA-WN**, galvanized, with a wavy adhesion and nailing plate
- **Fixing socket PVA-WNR**, stainless with a wavy adhesion and nailing plate



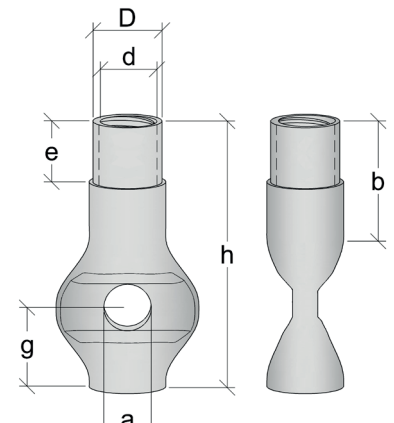
Approvals and quality documents:  
Ask for more details from our sales staff.

# Fixing socket PVA

Fixing socket

## Galvanized, a transverse hole

Product no	Load t	Size d x h	D mm	e mm	Packaging units
0700	0,10	M 6 x 35	6	10	500
0702	0,20	M 8 x 40	6	10	500
0703	0,20	M 8 x 50	6	10	500
0704	0,35	M 10 x 45	6	10	500
0705	0,35	M 10 x 50	6	10	500
0706	0,35	M 10 x 60	6	10	500
0708	0,50	M 12 x 55	10	15	500
0710	0,50	M 12 x 65	10	15	500
0711	0,50	M 12 x 80	10	15	500
0870	0,50	M 16 x 50	X	17	250
0713	1,00	M 16 x 70	10	17	250
0712	1,00	M 16 x 80	12	17	250
0714	1,00	M 16 x 100	12	17	250
0715	1,00	M 16 x 120	12	17	250
0716	1,25	M 20 x 100	13	25	150
0718	1,25	M 20 x 120	13	25	150
0794	1,25	M 20 x 150	13	25	150
0725	1,25	M 20 x 240	13	25	250
0720	1,68	M 24 x 120	17	29	100
0721	1,68	M 24 x 150	17	29	100
0723	2,20	M 30 x 150	22	56	50

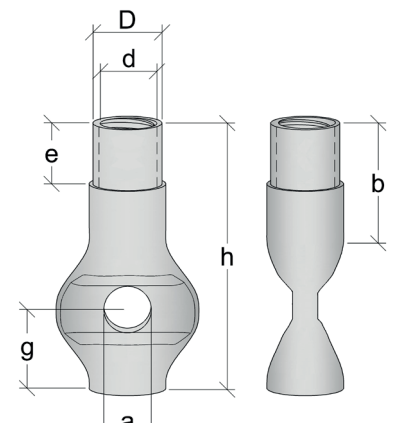


# Fixing socket PVA-R

Fixing socket

## Stainless steel, a transverse hole

Product no	Load t	Size d x h	D mm	e mm	Packaging units
0700E	0,10	M 6 x 35	6	10	500
0701E	0,10	M 6 x 40	6	10	500
0726E	0,20	M 8 x 40	6	10	500
0703E	0,20	M 8 x 50	6	10	500
0728E	0,35	M 10 x 45	6	10	100
0707E	0,35	M 10 x 60	6	10	100
0730E	0,50	M 12 x 55	10	15	100
0731E	0,50	M 12 x 60	10	15	100
0732E	0,50	M 12 x 70	10	15	100
0734E	1,00	M 16 x 80	12	17	50
0736E	1,00	M 16 x 100	12	17	50
0737E	1,00	M 16 x 120	12	17	50
0738E	1,25	M 20 x 100	13	25	25
0740E	1,68	M 24 x 120	17	29	25



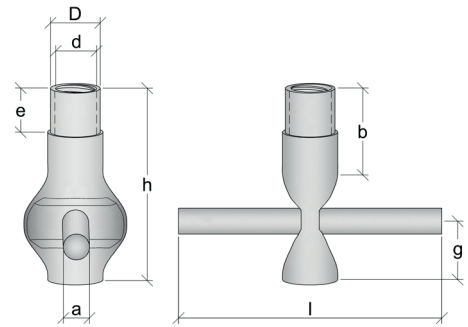
Approvals and quality documents:  
Ask for more details from our sales staff.

# Fixing socket PVA-H

Fixing socket

## Galvanized

Product no	Load t	Size d x h	D mm	Packaging units
0751	0,10	M 6 x 35	6 x 50	500
0781	0,20	M 8 x 40	6 x 50	500
0782	0,20	M 8 x 50	6 x 50	500
0750	0,35	M 10 x 45	6 x 50	500
0753	0,35	M 10 x 50	6 x 50	500
0752	0,35	M 10 x 60	6 x 50	500
0754	0,50	M 12 x 55	10 x 50	500
0755	0,50	M 12 x 65	10 x 50	500
0756	0,50	M 12 x 70	10 x 50	500
0758	1,00	M 16 x 80	10 x 100	250
0760	1,00	M 16 x 100	10 x 100	250
0759	1,00	M 16 x 120	10 x 100	250
0762	1,25	M 20 x 100	13 x 100	150
0764	1,25	M 20 x 120	13 x 100	150
0766	1,68	M 24 x 120	17 x 100	100
0782	2,20	M 30 x 150	22 x 100	50

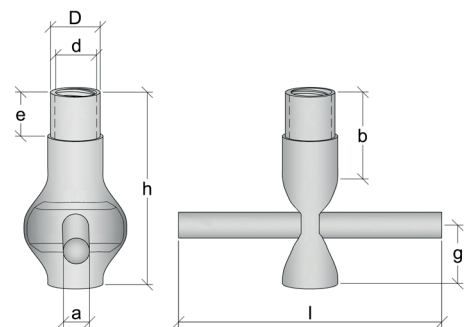


# Fixing socket PVA-HR

Fixing socket

## Stainless

Product no	Load t	Size d x h	D mm	Packaging units
0700EQ	0,10	M 6 x 40	6 x 50	500
0726EQ	0,20	M 8 x 40	6 x 50	500
0723EQ	0,20	M 8 x 50	6 x 50	500
0769EQ	0,35	M 10 x 45	6 x 50	500
0770EQ	0,50	M 12 x 55	10 x 50	500
0771EQ	0,50	M 12 x 60	10 x 50	500
0772EQ	0,50	M 12 x 70	10 x 50	500
0774EQ	1,00	M 16 x 80	10 x 100	250
0776EQ	1,00	M 16 x 100	10 x 100	250
0777EQ	1,00	M 16 x 120	10 x 100	250
0778EQ	1,25	M 20 x 100	12 x 100	150
0779EQ	1,25	M 20 x 120	12 x 100	150
0780EQ	1,68	M 24 x 120	16 x 100	100



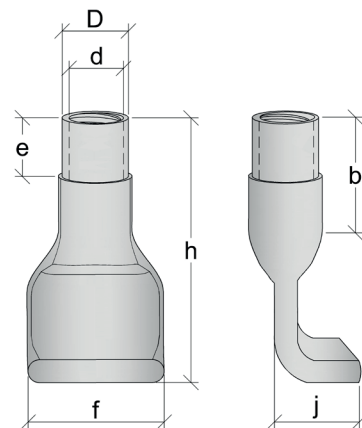
Approvals and quality documents:  
Ask for more details from our sales staff.

# Fixing socket PVA-T

Fixing socket

## Galvanized, bended end

Product no	Load t	Size d x h	Packaging units
0800	0,20	M 8 x 30	500
0790	0,20	M 8 x 35	500
0801	0,20	M 8 x 50	500
0802	0,30	M 10 x 35	500
0817	0,30	M 10 x 45	500
08171	0,30	M 10 x 60	500
0804	0,40	M 12 x 45	500
0791	0,40	M 12 x 55	500
0806	1,0	M 16 x 60	250
0809	1,0	M 16 x 80	250
0808	1,0	M 16 x 90	250
0807	1,0	M 16 x 100	250
0784	1,0	M 16 x 250	250
0820	1,25	M 20 x 70	150
0822	1,25	M 20 x 100	150
0818	1,68	M 24 x 80	100

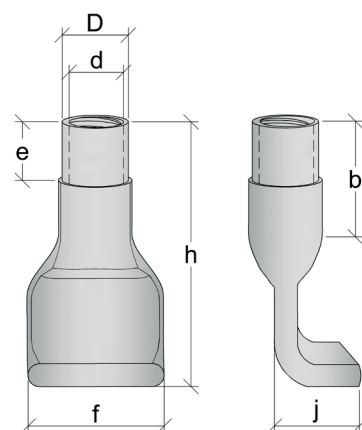


# Fixing socket PVA-TR

Fixing socket

## Stainless, bended end

Product no	Load t	Size d x h	Packaging units
0800E	0,20	M 8 x 30	500
0795E	0,30	M 10 x 35	500
0804E	0,40	M 12 x 45	500
0810E	0,40	M 12 x 70	500
0806E	1,00	M 16 x 60	250
0814E	1,00	M 16 x 80	250
0816E	1,00	M 16 x 100	250



Approvals and quality documents:  
Ask for more details from our sales staff.

# Fixing socket PVA-N

Fixing socket

## Galvanized, with nailing plates and a transverse hole

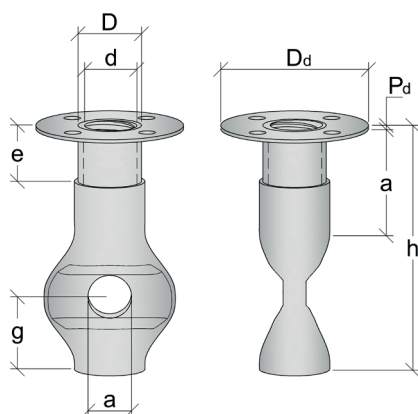
Product no	Load t	Size d x h	Tube D mm	Hole a mm	Plate Dd mm	Pd mm	g mm	Packaging units
0702N	0,20	M 8 x 40	10,5	6,2	34	1-2	8	500
0706N	0,35	M 10 x 60	13,5	6,2	34	1-2	12	500
0709N	0,50	M 12 x 60	17,0	10,0	40	1-2	15	500
0710N	0,50	M 12 x 65	17,0	10,0	40	1-2	15	500
0712N	1,00	M 16 x 80	21,3	12,2	44	1-2	22	250
0714N	1,00	M 16 x 100	21,3	12,2	44	1-2	22	150
0716N	1,25	M 20 x 100	26,9	13,0	48	1-2	22	150
0720N	1,68	M 24 x 120	33,7	17,0	57	1-2	25	100

# Fixing socket PVA-NR

Fixing socket

## Stainless, with nailing plates and a transverse hole

Product no	Load t	Size d x h	Tube D mm	Hole a mm	Plate Dd mm	Pd mm	g mm	Packaging units
0702NE	0,20	M 8 x 40	10,5	6,2	34	1-2	8	500
0706NE	0,35	M 10 x 60	13,5	6,2	34	1-2	12	500
0709NE	0,50	M 12 x 60	17,0	10,0	40	1-2	15	500
0710NE	0,50	M 12 x 65	17,0	10,0	40	1-2	15	500
0712NE	1,00	M 16 x 80	21,3	12,2	44	1-2	22	250
0714NE	1,00	M 16 x 100	21,3	12,2	44	1-2	22	150
0716NE	1,25	M 20 x 100	26,9	13,0	48	1-2	22	150
0720NE	1,68	M 24 x 120	33,7	17,0	57	1-2	25	100



Approvals and quality documents:  
Ask for more details from our sales staff.

# Fixing socket PVA-NH

Fixing socket

Galvanized, with a nailing plate and cross pin

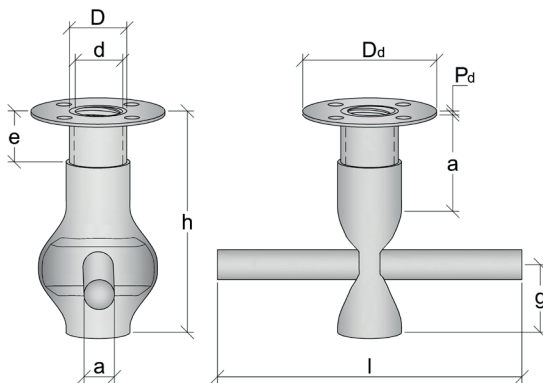
Product no	Load t	Size d x h	Tube D mm	Pin a mm	Plate Dd mm	Pd mm	g mm	Packaging units
0769NP	0,35	M 10 x 45	13,5	6,2	34	1-2	12	500
0705NP	0,35	M 10 x 50	13,5	6,2	34	1-2	12	500
0752NP	0,35	M 10 x 60	13,5	6,2	34	1-2	12	500
0758NP	1,00	M 16 x 80	21,3	12,2	44	1-2	22	250
0760NP	1,00	M 16 x 100	21,3	12,2	44	1-2	22	250

# Fixing socket PVA-NHR

Fixing socket

Stainless, with a nailing plate and cross pin

Product no	Load t	Size d x h	Tube D mm	Pin a mm	Plate Dd mm	Pd mm	g mm	Packaging units
0769NPE	0,35	M 10 x 45	13,5	6,2	34	1-2	12	500
0705NPE	0,35	M 10 x 50	13,5	6,2	34	1-2	12	500
0752NPE	0,35	M 10 x 60	13,5	6,2	34	1-2	12	500
0758NPE	1,00	M 16 x 80	21,3	12,2	44	1-2 <td 22	250	
0760NPE	1,00	M 16 x 100	21,3	12,2	44	1-2	22	250



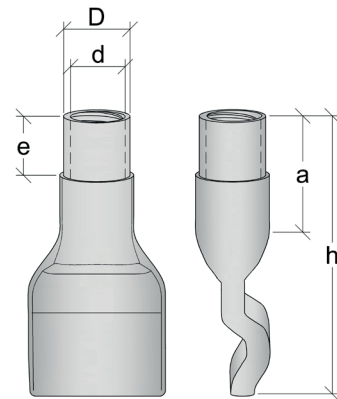
Approvals and quality documents:  
Ask for more details from our sales staff.

# Fixing socket PVA-W

Fixing socket

## Galvanized, with a wavy adhesion

Product no	Load t	Size d x h	Packaging units
0702W	0,20	M 8 x 40	500
07036W	0,20	M 8 x 60	500
07038W	0,20	M 8 x 80	500
0710W	0,50	M 12 x 65	500
07101W	0,50	M 12 x 80	500
0712W	1,00	M 16 x 80	250
0716W	1,25	M 20 x 100	150
0720W	1,68	M 24 x 120	100

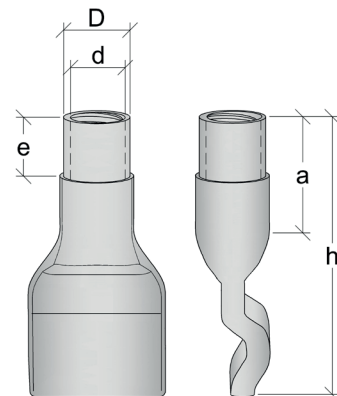


# Fixing socket PVA-WE

Fixing socket

## Stainless with a wavy adhesion

Product no	Load t	Size d x h	Packaging units
0701WE	0,10	M 6 x 40	500
0706WE	0,35	M 10 x 60	500
0731WE	0,50	M 12 x 60	500
0734WE	1,00	M 16 x 80	250
0736WE	1,00	M 16 x 100	250
0738WE	1,25	M 20 x 100	150
0739WE	1,68	M 24 x 120	100



Approvals and quality documents:  
Ask for more details from our sales staff.

# Fixing socket PVA-WN

Fixing socket

## Galvanized, with a wavy adhesion and nailing plate

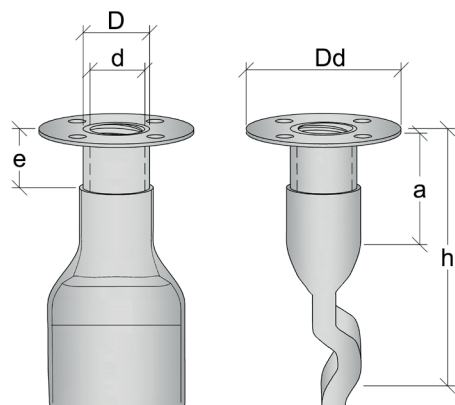
Product no	Load t	Size d x h	Tube D mm	Plate Dd mm	Pd mm	g mm	Packaging units
0702WN	0,20	M 8 x 40	10,5	34	1-2	8	500
07036WN	0,35	M 10 x 60	13,5	34	1-2	12	500
07038WN	0,50	M 12 x 60	17,0	40	1-2	15	500
0710WN	0,50	M 12 x 65	17,0	40	1-2	15	500
07101WN	1,00	M 16 x 80	21,3	44	1-2	22	250
0712WN	1,00	M 16 x 100	21,3	44	1-2	22	150
0716WN	1,25	M 20 x 100	26,9	48	1-2	22	150
0720WN	1,68	M 24 x 120	33,7	57	1-2	25	100

# Fixing socket PVA-WNR

Fixing socket

## Stainless with a wavy adhesion and nailing plate

Product no	Load t	Size d x h	Tube D mm	Plate Dd mm	Pd mm	g mm	Packaging units
0702WNE	0,20	M 8 x 40	10,5	34	1-2	8	500
07036WNE	0,35	M 10 x 60	13,5	34	1-2	12	500
07038WNE	0,50	M 12 x 60	17,0	40	1-2	15	500
0710WNE	0,50	M 12 x 65	17,0	40	1-2	15	500
07101WNE	1,00	M 16 x 80	21,3	44	1-2	22	250
0712WNE	1,00	M 16 x 100	21,3	44	1-2	22	150
0716WNE	1,25	M 20 x 100	26,9	48	1-2	22	150
0720WNE	1,68	M 24 x 120	33,7	57	1-2	25	100



Approvals and quality documents:  
Ask for more details from our sales staff.